

Hypertherm®

powermax1250® G3 SERIES™

Machine torch parts

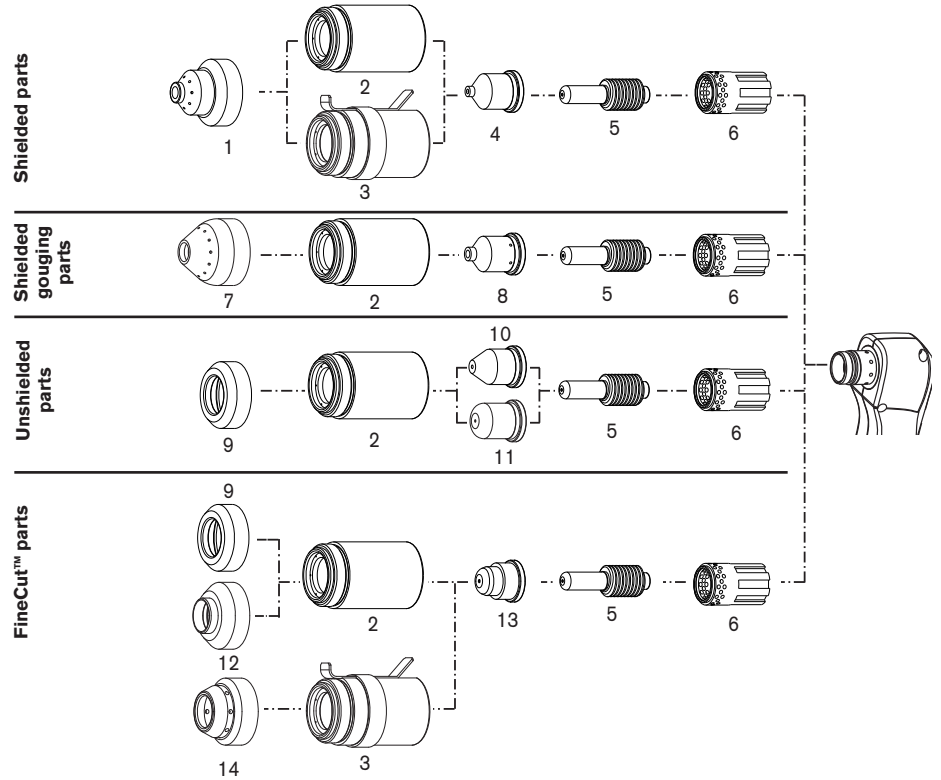
T80 consumables



Powermax1250

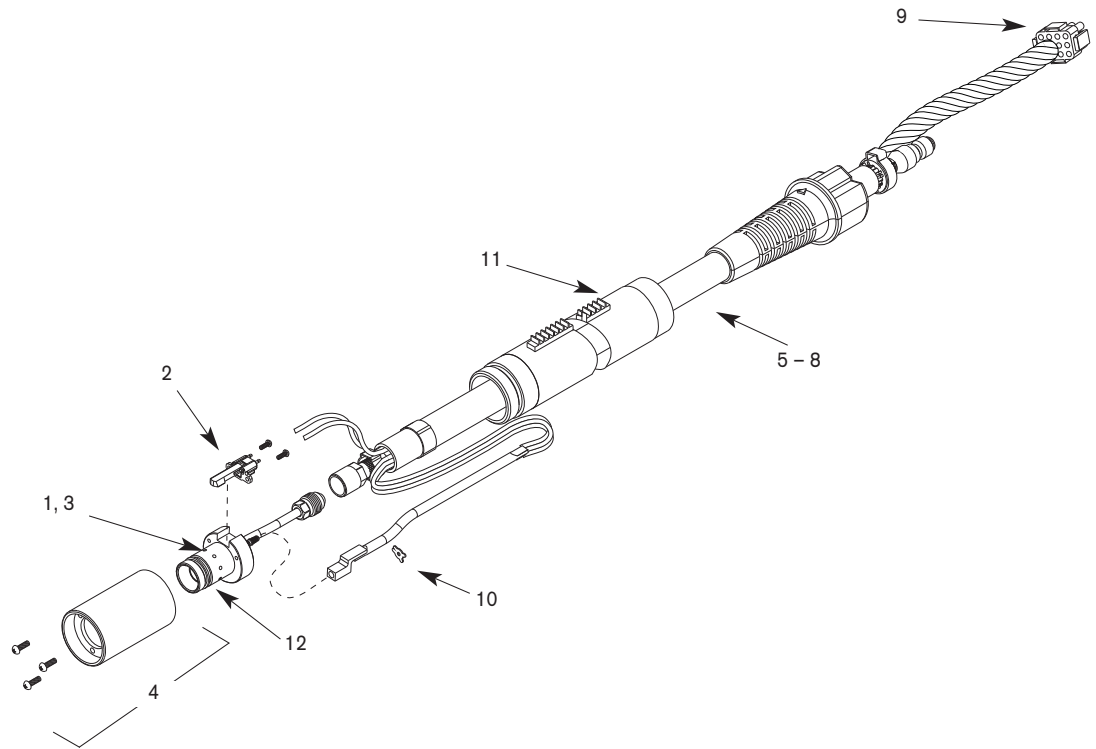


T80M torch



	ITEM NUMBER	PART NUMBER	DESCRIPTION	QUANTITY PER PACKAGE
Shielded parts	1	120930	Shield	1
	2	120928	Retaining cap	1
	3	220061	Retaining cap, ohmic	1
	4	120927	Nozzle, 80 amp	5
	4	120931	Nozzle, 60 amp	5
	4	120932	Nozzle, 40 amp	5
	5	120926	Electrode	5
	6	120925	Swirl ring	1
Shielded gouging parts	7	120977	Shield, gouging	1
	2	120928	Retaining cap	1
	8	220059	Nozzle, gouging	5
	5	120926	Electrode	5
	6	120925	Swirl ring	1
Unshielded parts	9	120979	Deflector	1
	2	120928	Retaining cap	1
	10	120980	Nozzle, extended, 80 amp	5
	10	220007	Nozzle, extended, 60 amp	5
	11	220006	Nozzle, extended, 40 amp	5
	5	120926	Electrode	5
	6	120925	Swirl ring	1
FineCut™ parts	9	120979	Deflector	1
	12	220325	Deflector, CE	1
	14	220404	Shield, ohmic	1
	2	120928	Retaining cap	1
	3	220061	Retaining ring, ohmic	1
	13	220329	Nozzle	5
	5	120926	Electrode	5
6	120925	Swirl ring	1	

Powermax1250 T80M torch assembly



T80M torch

ITEM NUMBER	PART NUMBER	DESCRIPTION
	087003*	T80M machine torch assembly, 15' / 4.6 m
	087004*	T80M machine torch assembly, 25' / 7.6 m
	087005*	T80M machine torch assembly, 35' / 10.7 m
	087006*	T80M machine torch assembly, 50' / 15.2 m
	128645	Kit: torch mounting
1	128640	Kit: T80M torch main body replacement
2	128639	Kit: cap sensor switch replacement
3	128521	Kit: T60/T80/T60M/T80M torch head repair
4	128643	Kit: T60M/T80M mounting sleeve replacement
5	128634	Kit: T80M lead replacement, 15' / 4.6 m
6	128633	Kit: T80M lead replacement, 25' / 7.6 m
7	128635	Kit: T80M lead replacement, 35' / 10.7 m
8	128641	Kit: T80M lead replacement, 50' / 15.2 m
9	128638	Kit: ETR connector repair (regional repair centers only)
10	027889	Retaining clip
11	128710	T60M/T80M positioning sleeve replacement (with rack)
11	220070	T60M/T80M positioning sleeve replacement (without rack)
12	058519	Torch o-ring

* Assembly includes consumables