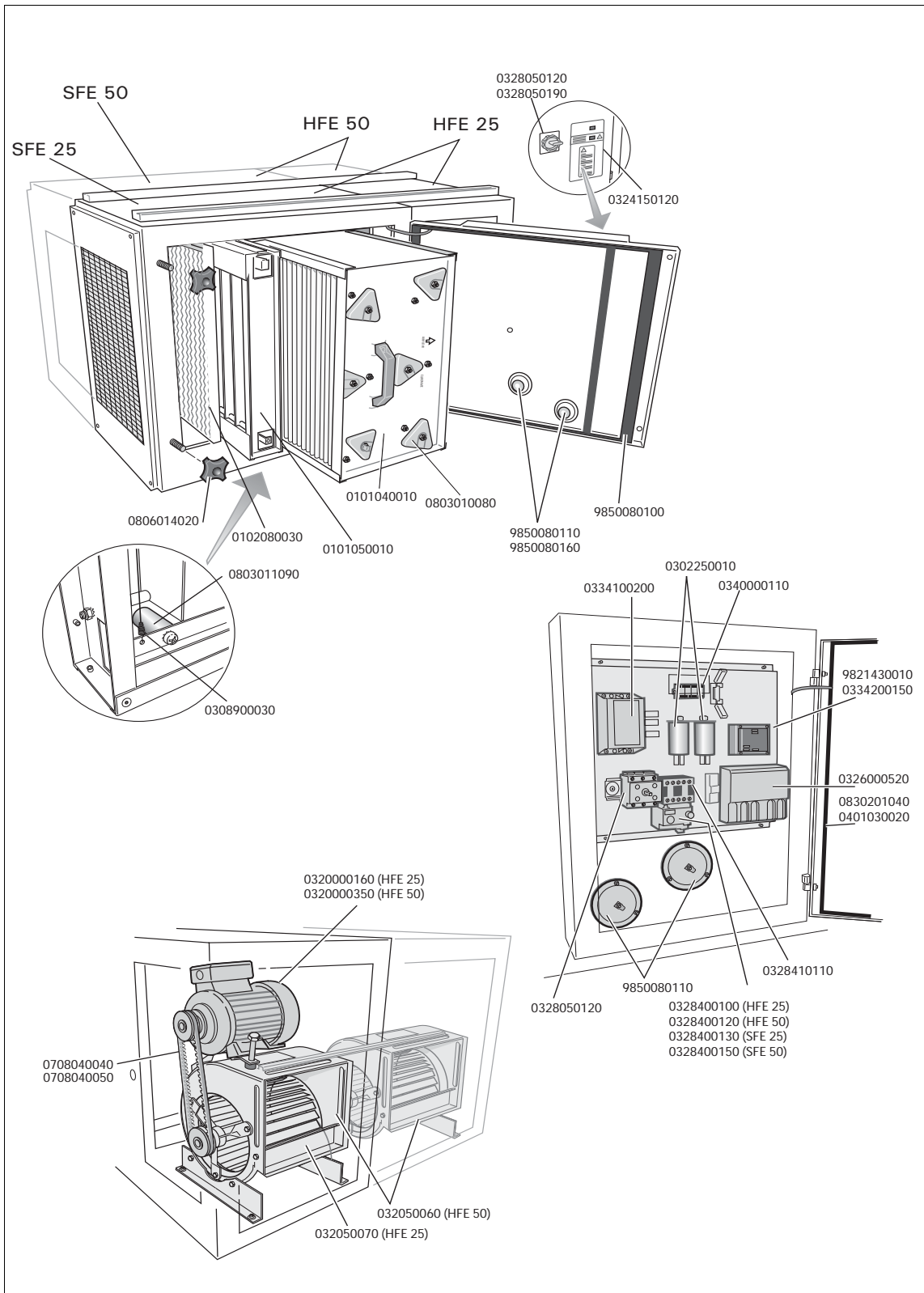


Exploded view SFE 25/50 and HFE 25/50





Spare parts **SFE 25/50** and **HFE 25/50** general

Art. no.	Description
0101040010	Collector FCS
0101050010	Ioniser FIS
0102080030	Aluminium pre/final filter SAF
0103003010	Final filter SSF (G3)
0104060010	Activated carbon final filter SCF
0302250010	Capacitor 0,5 μ F, 600V for high voltage
0308900030	Ionisation wire for FIS
0320000160	Motor 0.75 kW, 400V/3ph/50Hz
0320000350	Motor 1,5kW, 230-400V/3ph/50Hz
0320500060	Fan 200x180 double
0320500070	Fan 200x180 single
0321012010	Motor 0.75 kW, 230V/1ph.
0324150120	Control lamp 24V, yellow
0326000520	PC board HT MFE/SFE
0328400100	Thermal relay NTR 1.4-2.0A
0328400120	Thermal relay NTR 3.0-4.7A
0328400130	Thermal relay NTR 4.0-6.3A
0328400150	Thermal relay NTR 7.5-10.5A
0328410110	Relay LS 5.10
0334100200	Transformer 50W/24V 115/230/400V
9821430020	HT transformer SFE/HFE
0340000110	Fuse 2,0 A
0708040040	V-belt SPZX 760 (HFE 25)
0708040050	V-belt SPZX 817 (HFE 50)
0711011370	Earth contact
0711011380	Discharge spring
0803010080	Insulator FCS
0803011090	Insulator FIS
0806014020	Cover star knob M8
9850080110	Insulators SFE/HFE (set of 2 pieces)
0000000000	Door SFE, incl. gutter
SFE/HFE models before November 2004:	
0328050120	Main switch VCO
0830201040	Sealing door electropart
9850080100	Sealing door SFE/HFE
SFE/HFE models after November 2004 (serial no. >S5010460002):	
0328050190	Main switch SFE/HFE/MSA
0328290010	Reset/start button
9850080160	Sealing door

Spare parts **SFM 25** and **SFM 50**

7950050000 and 7950150000

7951050000 and 7951150000

Art. no.	Description
0102080030	Aluminium pre/final filter SAF
9850080050	Bagfilter SBF
0806014020	Cover star knob M8
9850080130	Sealing door SFM 25/50