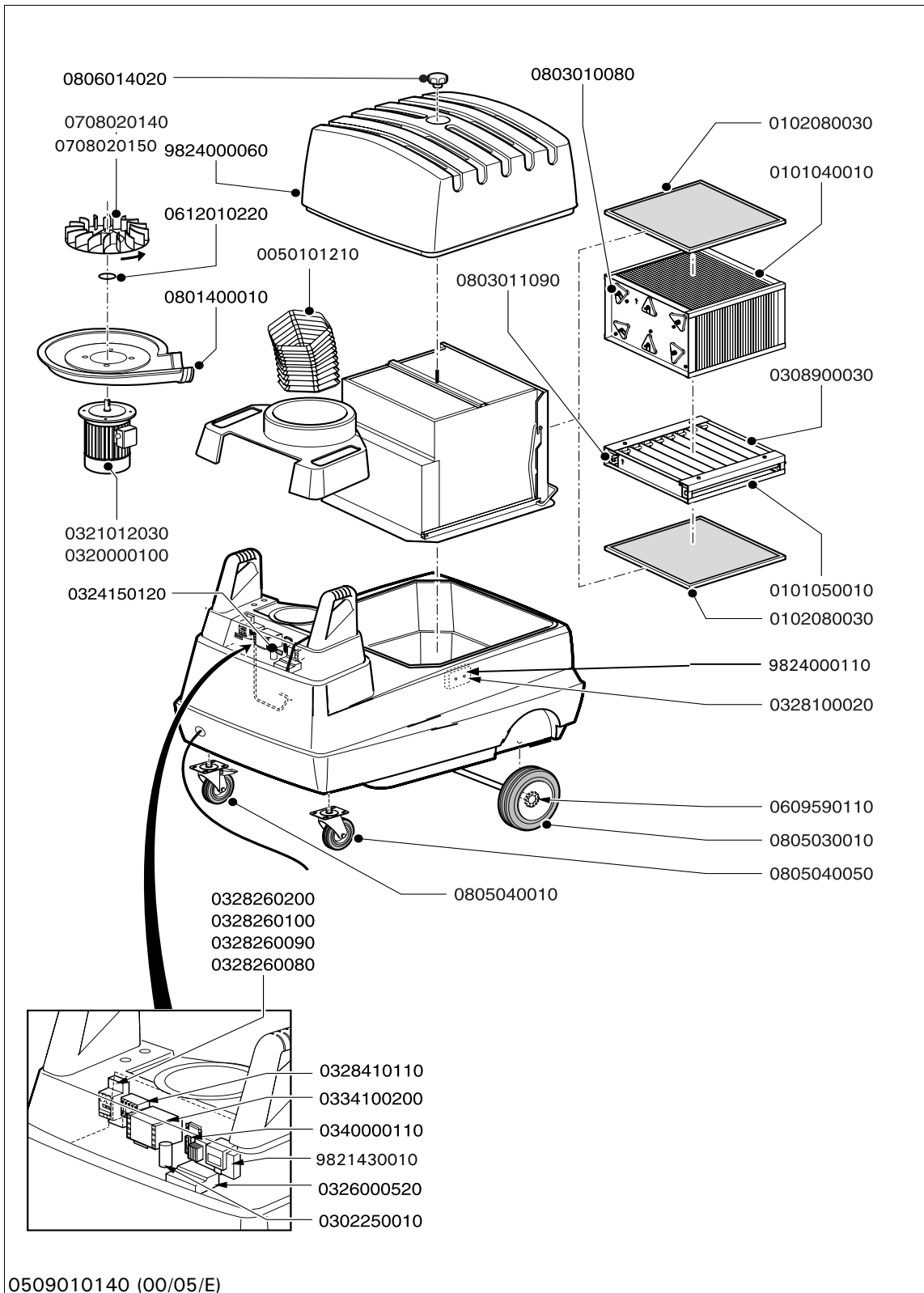


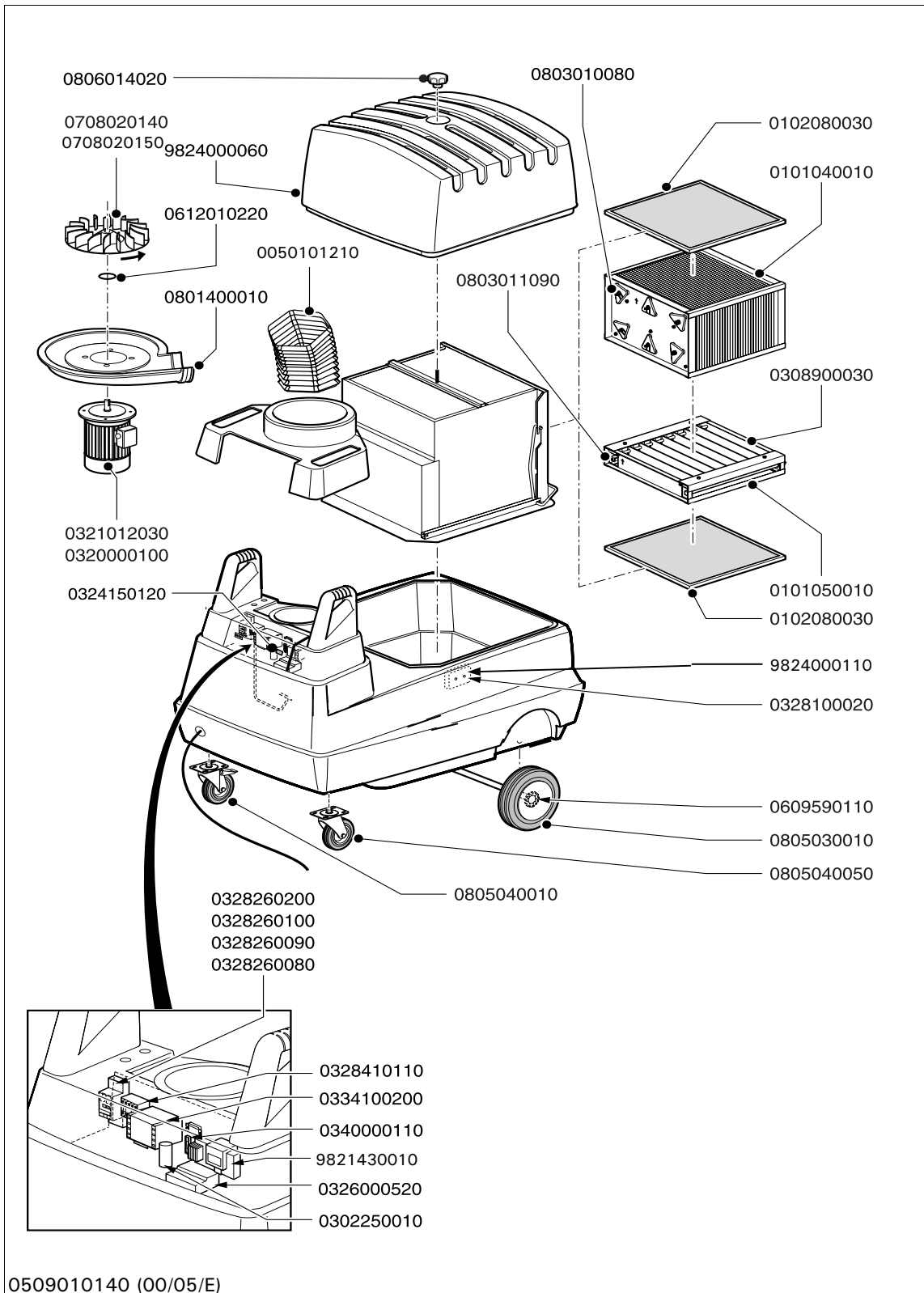
# Exploded view MFE



## Spare parts MFE general

Art. no.	Description	
0050101210	Hose set (Ultra)Flex for mounting on mobile unit	
0101040010	Collector FCS	
0101050010	Ioniser FIS	
0102080030	Aluminium pre/final filter SAF	
0104060010	Activated carbon final filter	
0302250010	SCF	
0302250010	Capacitor 0,5 $\mu$ F, 600V for	
0308900030	high voltage	
0308900030	Ionisation wire for FIS	
0324150120	Control lamp 24V, yellow	
0326000520	PC board HT MFE/SFE	
0328100020	Safety switch, 2 poles	
0328410110	Relay LS 5.10	
0334100200	Transformer 50W/24V	
0340000110	115/230/400V	
0340000110	Fuse 2,0 A	
0609590110	Starlock 22 mm	
0612010220	Adjusting ring 19x1	
0708020140	Aluminium fan wheel 50Hz	
0708020150	Aluminium fan wheel 60Hz	
0801400010	Housing FAN 14/28/MNF/mobile	
0803010080	units, motor side	
0803010080	Insulator FCS	
0803011090	Insulator FIS	
0805030010	Wheel $\varnothing$ 250 mm black	
0805040010	Swivel castor $\varnothing$ 125 mm with	
0805040050	brake	
0805040050	Swivel castor $\varnothing$ 125 mm without	
0806014020	brake	
0806014020	Cover star knob M8	
0840101030	Bush $\varnothing$ 203 mm	
9821430010	HT transformer MFE/SFE/HFE	
9824000060	Filter cover MFD/MFE incl.	
9824000110	outlet grid	
9824000110	Mounting set safety switch MFE	

# Exploded view MFE



**Spare parts MFE (400V/3ph/50Hz)**

7035400000

Art. no.	Description
0320000100	Motor 0,75kW, 230-400V/3ph/50Hz
0328260080	Motor protection switch MPS 1.6-2.5A (mobile units)

**Spare parts MFE (230V/3ph/50Hz)**

7033400000

Art. no.	Description
0320000100	Motor 0,75kW, 230-400V/3ph/50Hz
0328260090	Motor protection switch MPS 2.5-4.0A (mobile units)

**Spare parts MFE (230V/1ph/50Hz)**

7032400000

Art. no.	Description
0321012030	Motor 0,75kW, 115-230V/1ph/50-60Hz
0328260100	Motor protection switch MPS 4.0-6.3A (mobile units)

**Spare parts MFE (115V/1ph/50Hz)**

7038400000

Art. no.	Description
0321012030	Motor 0,75kW, 115-230V/1ph/50-60Hz
0328260200	Motor protection switch MPS 10-16A (CSA + UL; mobile units)