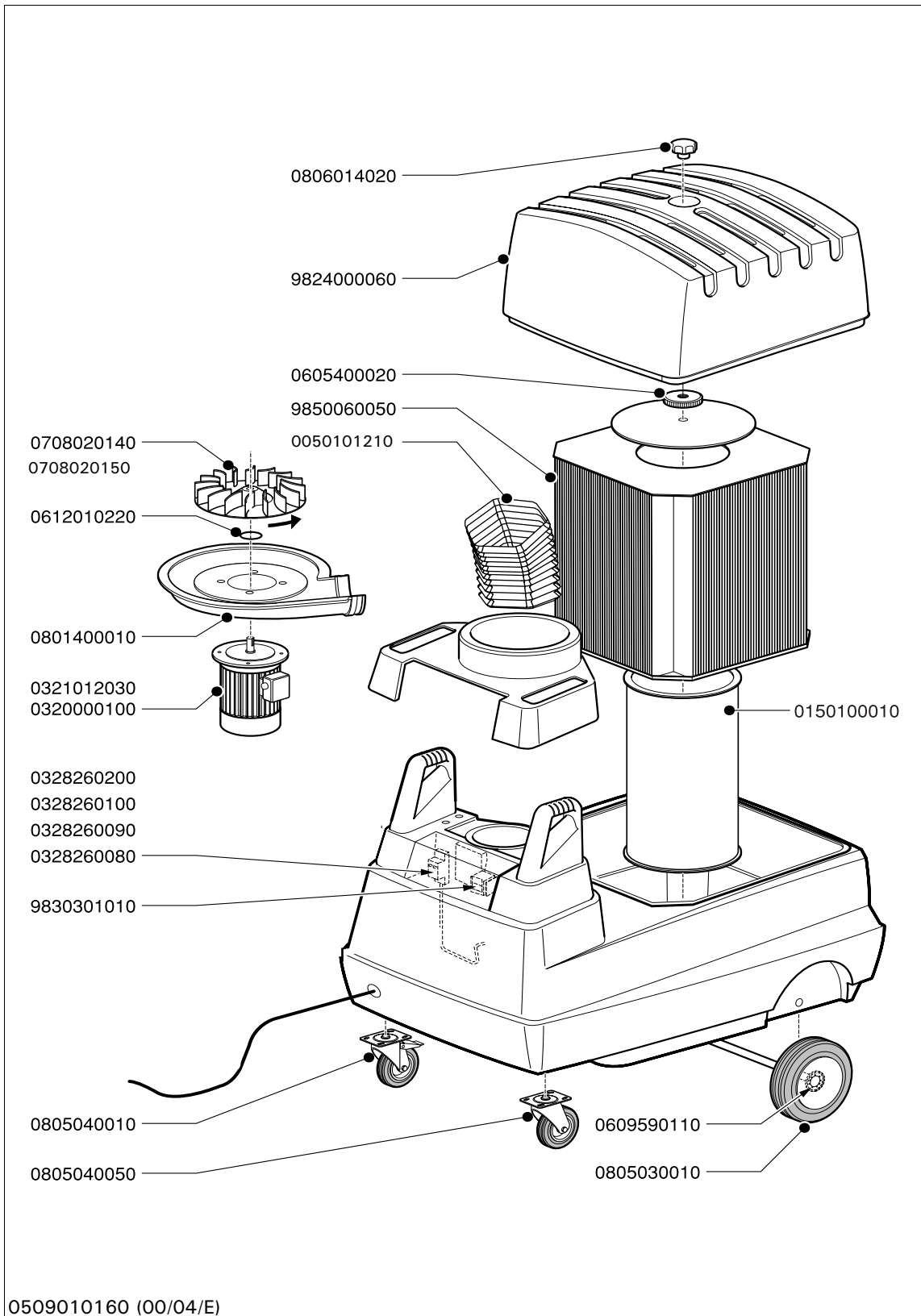


Exploded view MFD



Spare parts MFD general

Art. no.	Description
0050101210	Hose set (Ultra)Flex for mounting on mobile unit
0150100010	Spark arrester MFD/SFD
0605400020	Knurled nut M8
0609590110	Starlock 22 mm
0612010220	Adjusting ring 19x1
0708020140	Aluminium fan wheel 50Hz
0708020150	Aluminium fan wheel 60Hz
0801400010	Housing FAN 14/28/MNF/mobile units, motor side
0805030010	Wheel Ø 250 mm black
0805040010	Swivel castor Ø 125 mm with brake
0805040050	Swivel castor Ø 125 mm without brake
0806014020	Cover star knob M8
0840101030	Bush Ø 203 mm
9824000060	Filter cover MFD/MFE incl. outlet grid
9830301010	Filter pollution indicator
9850060050	DuraFilter FCC 50

Spare parts MFD (400V/3ph/50Hz)

7025100000

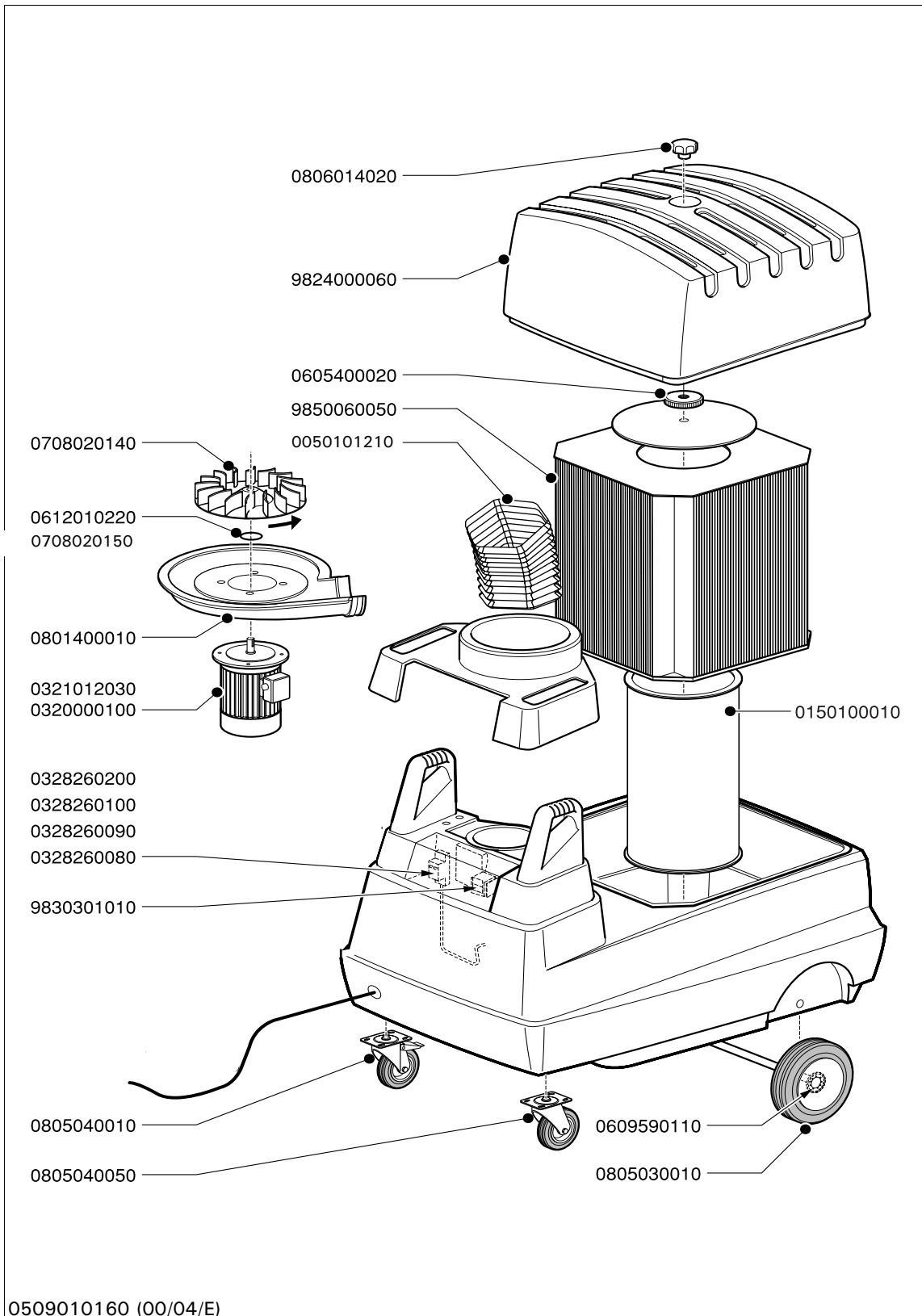
Art. no.	Description
0320000100	Motor 0,75kW, 230-400V/3ph/50Hz
0328260080	Motor protection switch MPS 1.6-2.5A (mobile units)

Spare parts MFD (230V/3ph/50Hz)

7023100000

Art. no.	Description
0320000100	Motor 0,75kW, 230-400V/3ph/50Hz
0328260090	Motor protection switch MPS 2.5-4.0A (mobile units)

Exploded view MFD



Spare parts MFD (230V/1ph/50Hz)

7022110000

Art. no.	Description
0321012030	Motor 0,75kW, 115-230V/1ph/50-60Hz
0328260100	Motor protection switch MPS 4.0-6.3A (mobile units)

Spare parts MFD (115V/1ph/50Hz)

7028100000

Art. no.	Description
0321012030	Motor 0,75kW, 115-230V/1ph/50-60Hz
0328260200	Motor protection switch MPS 10-16A (CSA + UL; mobile units)

Spare parts MFD-BIA (400V/3ph/50Hz)

7025200000

Art. no.	Description
0320000100	Motor 0,75kW, 230-400V/3ph/50Hz
0324150120	Control lamp 24V, yellow
0326601010	PC board motor direction
0328260080	Motor protection switch MPS 1.6-2.5A (mobile units)
0328410110	Relay LS 5.10
0334100200	Transformer 50W/24V 115/230/400V
0340000110	Fuse 2,0 A
9850070070	Buzzer MFD-BIA
0328280020	Pressure difference switch 6-50 mBar